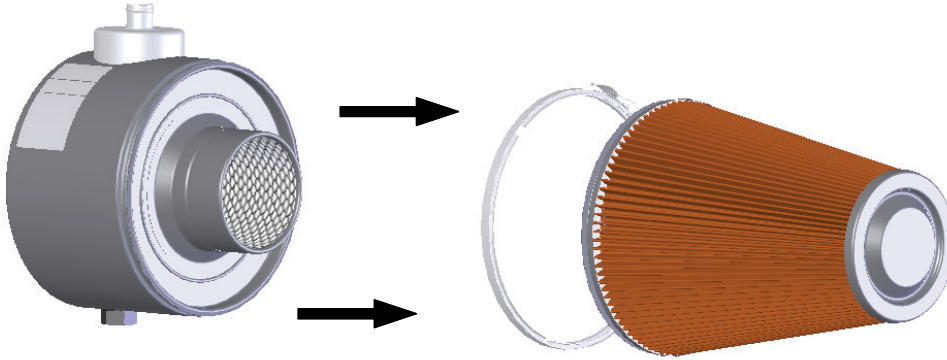
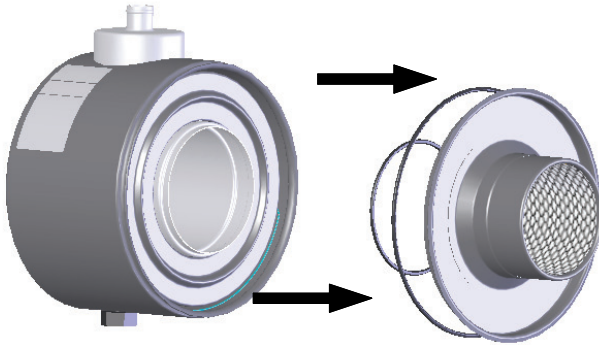


CCE SERVICE PROCEDURE

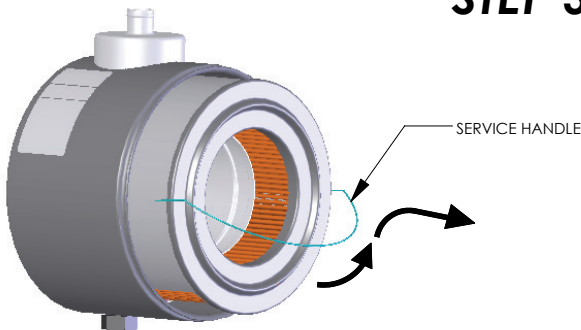
STEP 1 Remove v-band Clamp and airfilter.



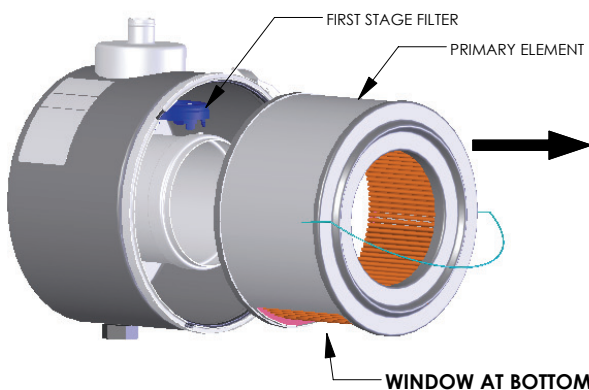
STEP 2 Carefully remove silencer lid and o-rings.



STEP 3 Carefully raise service handle on primary element. Pull out of housing with equal force.



STEP 4 Once primary element is removed, reach inside housing and pull first stage element down. (Discard both elements and replace with new). Reassemble by placing o-rings, silencer lid, v-band and air filter back into place.



IMPORTANT: Drainage window MUST be positioned at bottom of primary element or system will malfunction. BOTH first stage and coalescing elements MUST be replaced at the same time.