

# **TECH-SHEET**

## **COALESCER ELEMENT SET REPLACEMENT INSTRUCTIONS**

### **WALKER AIRSEP CCE® CLOSED SYSTEM 16" REMOTE UNIT DIESEL ENGINE (ALL APPLICATIONS)**

#### **SERVICE RECOMMENDATIONS**

NOTE: Each Engine is different depending on manufacturer, wear, and hours accumulated, as well as in-service duty cycle. Current replacement interval for 16" CCE Coalescing element is 1500 -1750 Hours. You may exceed this interval providing engine crankcase pressures are within engine manufacturer's recommendation. In no event should the element be in service longer than 2000 hours.

Note: You may want to use rags or shop towels to prevent dripping oil during the procedure.

- 1) Shutdown engine before servicing.**
- 2) Un-clip fasteners at top of lid and disconnect any hose clamps attaching hoses to lid.**
- 3) Remove lid and inspect underside of lid. You will find one (1) or (2) 1st Stage filter paks [A], (Blue Discs), remove and discard filter pak(s).**
- 4) Install new filterpak(s) [A] as furnished in the element set.**
- 5) Replace main coalescing element with new. (See Illustration - page 2)**
- 6) Align lid and seat top with housing.**
- 7) Re-install fasteners, and re-attach hoses.**
- 8) Start engine and check for leaks. Record engine hours and initial crankcase pressures.**

**\* Note: Used filter paks should be discarded properly and in accordance with any state, local, or federal disposal guidelines.**

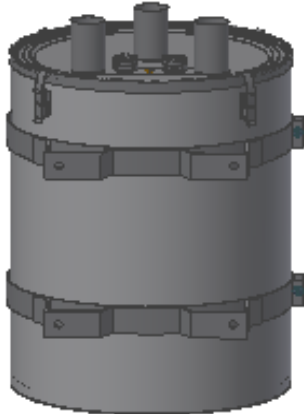
**REPLACE FILTER SET WITH (40-2012) or (40-2011 -Double 1st Stage Unit)**

**© 2005 Walker Engineering Enterprises, Inc.**

**[www.walkerairsep.com](http://www.walkerairsep.com)**

-continued (See Attached Diagram)

# 16" CCE REMOTE AIRSEP®



16" CCE REMOTE AIRSEP CAN ASSEMBLY

