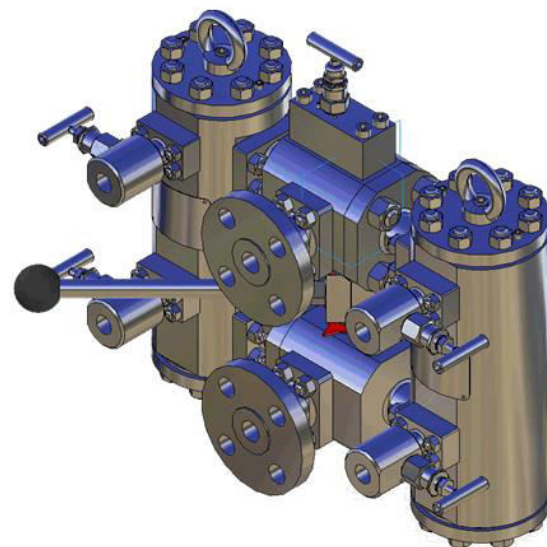


# BOLLFILTER Duplex Type BFD-P HD

<b>Media</b>	Gaseous Fuel
<b>Nominal diameter</b>	Up to DN 200 (further on request)
<b>Filter element</b>	Fibreglass/stainless steel disposable cartridges* Cleanable elements (star-pleated) made of stainless steel
<b>Grade of filtration</b>	0,5 µm - 250 µm
<b>Pressure stage</b>	>500 bar (size and temperature dependent)
<b>Filter housing</b>	Carbon steel (St 45-8 / A106B) Stainless steel (1.4404 / 316L) Non-welded
<b>General Accessories and Special Equipment</b>	1.) Connecting elements Flexible connection possibilities e.g., flanged, NPT, weld-on ends, ball valves, needle valves  2.) Instruments Differential pressure connections such as optical and optical/electrical differential pressure measurement systems  3.) Materials Filters available on request in Duplex or Super Duplex  4.) Optional equipment Cover lifting/pivoting mechanism Cover safety device
<b>Special accessories for gas filtering</b>	Pre-separator for liquid reduction / cyclone and cyclone demister In addition to standard, filters also available in duplex and Super duplex (on request)  Liquid level switches  Magnetic level indicator  Bulls Eyes  Adaptable fluid reservoir for saving the separated fluid

*\* as normal temperature and high/low temperature design*

**Marktsegment: Industrie**



# RELEVANT PRODUCTS

SPAREPARTS



SERVICE



ULTRASONIC CLEANING 5.05

